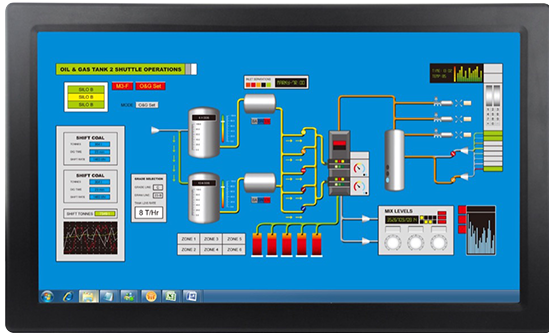




ARP-3624AP

Panel Mount Panel PC with 24" 5-Wire Resistive Touch



Features

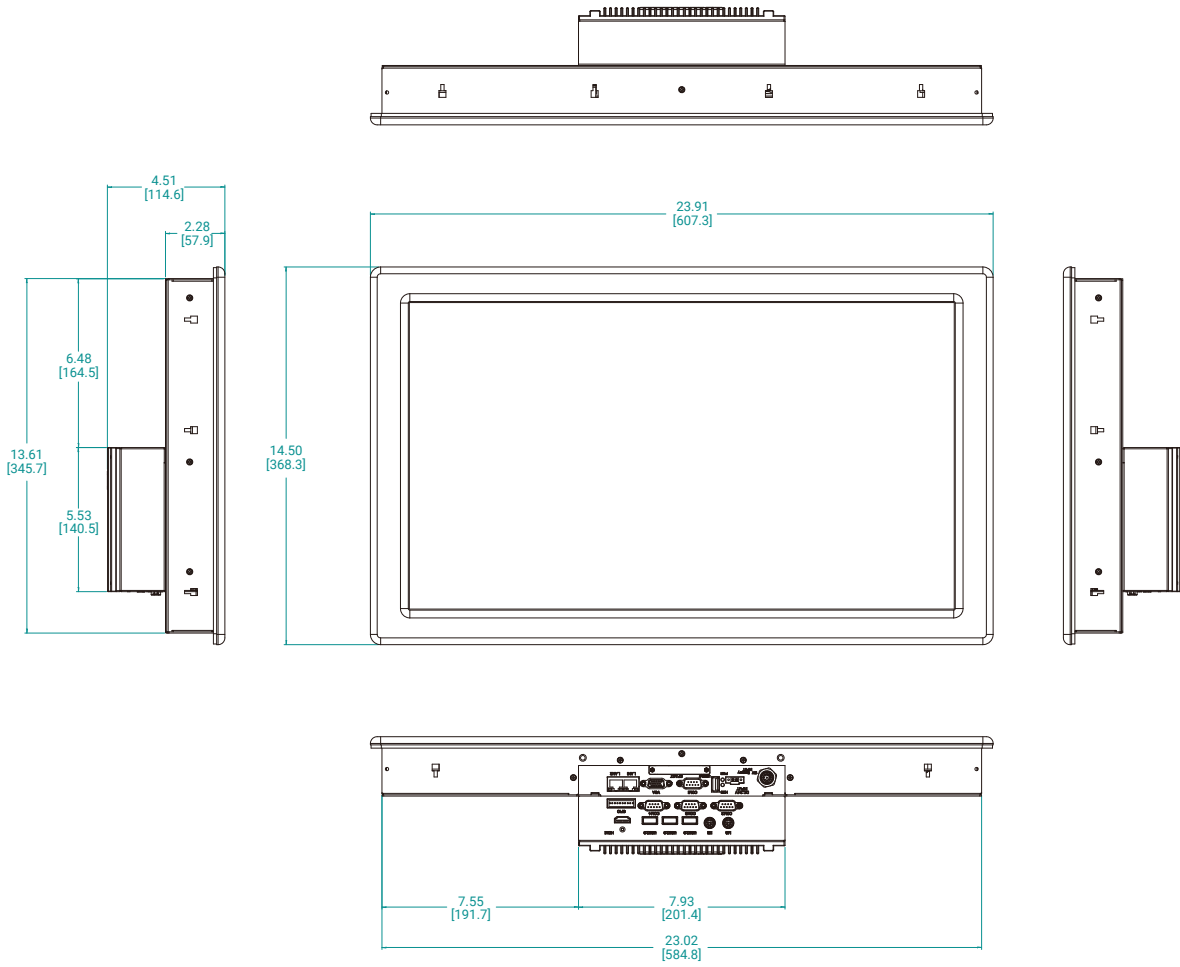
- 24" LCD, 1920 x 1080 Resolution
- 5-Wire Resistive Touch
- Aluminum or Stainless-Steel Bezel
- Intel Celeron J1900 @ 1.99GHz / Atom E3845 @ 1.91GHz CPU; Intel i7-6600U, i5-6300U, Celeron-3855U
- Up to 8GB DDR3/ Up to 16GB DDR4 SO-DIMM
- Optional 2.5" SSD
- Dual Gigabit Ethernet
- 4 x RS-232/422/485 BIOS Selectable
- 1 x 8-bit GPIO (4-bit Input, 4-bit Output)
- 1 x USB 3.0, 3 x USB 2.0 ports

Specifications

| Model Name | ARP-3624AP | |
|------------------------------------|--|---|
| | E01 | H01 |
| LCD Display | | |
| Display Size (Diagonal) | 24.0 inch | 24.0 inch |
| Max Resolution | 1920 x 1080 | 1920 x 1080 |
| Backlight Lifetime (Hours) | 50,000 hours | 50,000 hours |
| Visual Characteristics | | |
| Colors | 16.7 million | 16.7 million |
| Aspect Ratio | 16:9 | 16:9 |
| Viewing Angle (V/H) | 178° / 178° | 178° / 178° |
| Contrast Ratio | 5000 : 1 | 5000 : 1 |
| Brightness | 250 nits (Typical) | 250 nits (Typical) |
| Touchscreen | | |
| Technology | Projected Capacitive | Projected Capacitive |
| Interface | USB | USB |
| Driver | Windows 7, 8 & 10 | Windows 10 |
| Front Bezel | | |
| NEMA 4 | Black Powder Coated Aluminum | Black Powder Coated Aluminum |
| NEMA 4x | Stainless Steel (Optional) | Stainless Steel (Optional) |
| System | | |
| CPU | Intel Celeron J1900 @ 1.99GHz / Atom E3845 @ 1.91GHz CPU | Intel i7-6600U, i5-6300U, Celeron-3855U |
| Chipset | Bay Trail | SkyLake |
| Memory | Up to 8GB DDR3 SO-DIMM | Up to 16GB DDR4 SO-DIMM |
| Video Controller | Intel Gen7 Intel Graphics DX 11, OGL3.2 | Intel HD Graphics 520 |
| External Video Output | VGA, HDMI | VGA, HDMI |
| Storage Option | 2.5" SSD | 2.5" SSD |
| CFast Card | Optional | Optional |
| Keyboard / Mouse | USB / PS2 | USB / PS2 |
| Audio | N/A | N/A |
| Watchdog Timer | Programmable 1 - 255 sec | Yes |
| Remote Boot | ThinManager Ready, PXE | ThinManager Ready, PXE |
| Expansion Slot | Mini PCIe x 2 | Mini PCIe x 1 |
| I/O Communication | | |
| USB Port | 1 x USB 3.0, 3 x USB 2.0 | 1 x USB 3.0, 3 x USB 2.0 |
| Serial Port | 4 x RS-232/422/485 BIOS Selectable | 4 x RS-232/422/485 BIOS Selectable |
| IEEE 1394 | N/A | N/A |
| LAN | 2 x Gigabit | 2 x Gigabit |
| Parallel | N/A | N/A |
| GPIO | 4 x DI, 4 x DO | 4 x DI, 4 x DO |
| Smart Battery | | |
| External Smart Battery | Optional | Optional |
| OS Support | | |
| OS Support | Windows 7, 8 & 10 | Windows 10 |
| Power/Thermal Specs | | |
| Power Requirement (Max) | 24VDC / 2.5A | 24VDC / 2.8A |
| Power Consumption (Max) | 60 W | 68W |
| Recommended Power Supply | 85 W | 100W |
| Heat Dissipation | 203 BTU/hr | 232 BTU/hr |
| Physical Information | | |
| Mounting | Panel Mount | Panel Mount |
| Net Weight | 23 Lbs / 10.43 Kg | 23 Lbs / 10.43 Kg |
| Dimension (W x H x D) | 23.91 x 14.50 x 4.51 inch 607.3 x 368.3 x 114.6 mm | 23.91 x 14.50 x 4.51 inch 607.3 x 368.3 x 114.6 mm |
| Recommended Cutout Dimension (WxH) | 23.22 x 13.81 inch 589.8 x 350.7 mm | 23.22 x 13.81 inch 589.8 x 350.7 mm |
| Environmental | | |
| Operating Temperature | 0~50°C (32~122°F) | 0~50°C (32~122°F) |
| Storage Temperature | -20~60°C (-4~140°F) | -20~60°C (-4~140°F) |
| Relative Humidity | 0~95% | 0~95% |
| IP/NEMA Rating | Bezel meets NEMA 4/4X requirement | Bezel meets NEMA 4/4X requirement |
| Certification | UL 61010 | UL 61010 |

Dimension Drawing

Model Name: ARP-3624AP
 Size Unit: inch(mm)



Ordering Information

| Item | ARP-3624AP-E01-003 | ARP-3624AP-E01-007 |
|--------------|--|--|
| LCD Display | 24.0" LCD / 1920 x 1080 | 24.0" LCD / 1920 x 1080 |
| Touch Screen | 5-Wire | 5-Wire |
| Bezel | Black Powder Coated Aluminum | Stainless Steel |
| CPU | Intel Celeron J1900 @ 1.99GHz / Atom E3845 @ 1.91GHz CPU | Intel Celeron J1900 @ 1.99GHz / Atom E3845 @ 1.91GHz CPU |
| Memory | 4GB DDR3 | 4GB DDR3 |
| Storage | N/A | N/A |
| Remote Boot | ThinManager Ready | ThinManager Ready |
| Power Supply | 110/220VAC Input DIN-Rail | 110/220VAC Input DIN-Rail |

| Item | ARP-3624AP-E01-031 | ARP-3624AP-E01-035 |
|--------------|--|--|
| LCD Display | 24.0" LCD / 1920 x 1080 | 24.0" LCD / 1920 x 1080 |
| Touch Screen | 5-Wire | 5-Wire |
| Bezel | Black Powder Coated Aluminum | Stainless Steel |
| CPU | Intel Celeron J1900 @ 1.99GHz / Atom E3845 @ 1.91GHz CPU | Intel Celeron J1900 @ 1.99GHz / Atom E3845 @ 1.91GHz CPU |
| Memory | 8GB DDR3 | 8GB DDR3 |
| Storage | 2.5" SATA SSD | 2.5" SATA SSD |
| Remote Boot | N/A | N/A |
| Power Supply | 110/220VAC Input DIN-Rail | 110/220VAC Input DIN-Rail |

| Item | ARP-3624AP-H01-031-700 | ARP-3624AP-H01-035-700 |
|--------------|------------------------------|---------------------------|
| LCD Display | 24.0" LCD / 1920 x 1080 | 24.0" LCD / 1920 x 1080 |
| Touch Screen | 5-Wire | 5-Wire |
| Bezel | Black Powder Coated Aluminum | Stainless Steel |
| CPU | i7-6600U | i7-6600U |
| Memory | 16GB DDR4 | 16GB DDR4 |
| Storage | 2.5" SATA SSD | 2.5" SATA SSD |
| Remote Boot | N/A | N/A |
| Power Supply | 110/220VAC Input DIN-Rail | 110/220VAC Input DIN-Rail |